

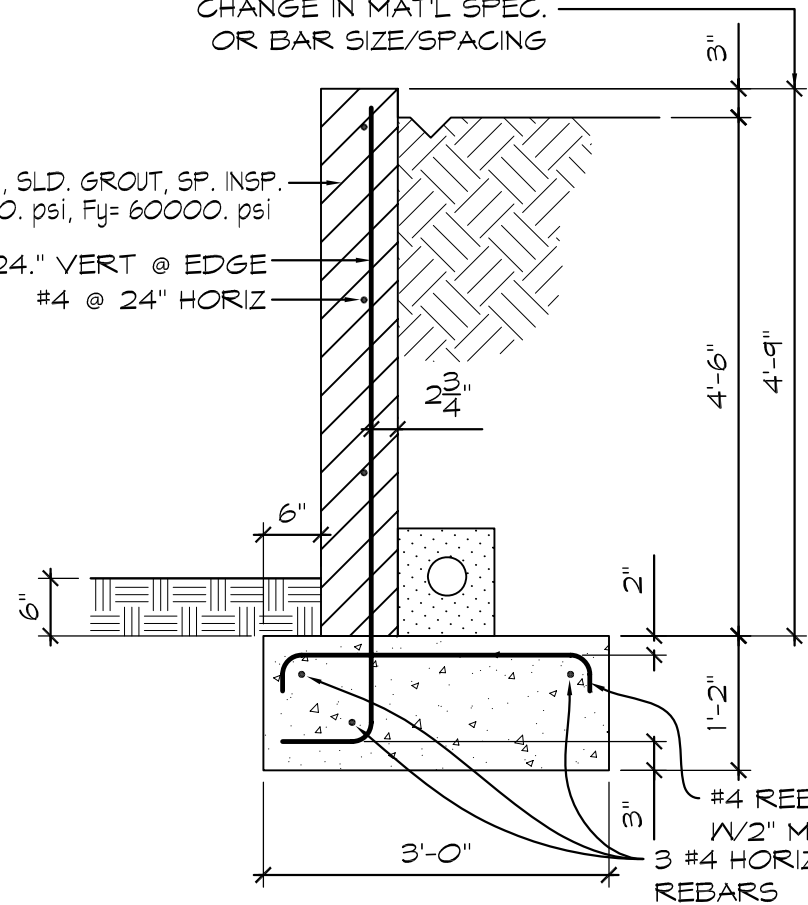
SECTION A-A

3/16" = 1'-0"

CHANGE IN MAT'L SPEC.
OR BAR SIZE/SPACING

8" C.M.U., SLD. GROUT, SP. INSP.
f'm= 1500. psi, Fy= 60000. psi

#4 @ 24." VERT @ EDGE
#4 @ 24" HORIZ

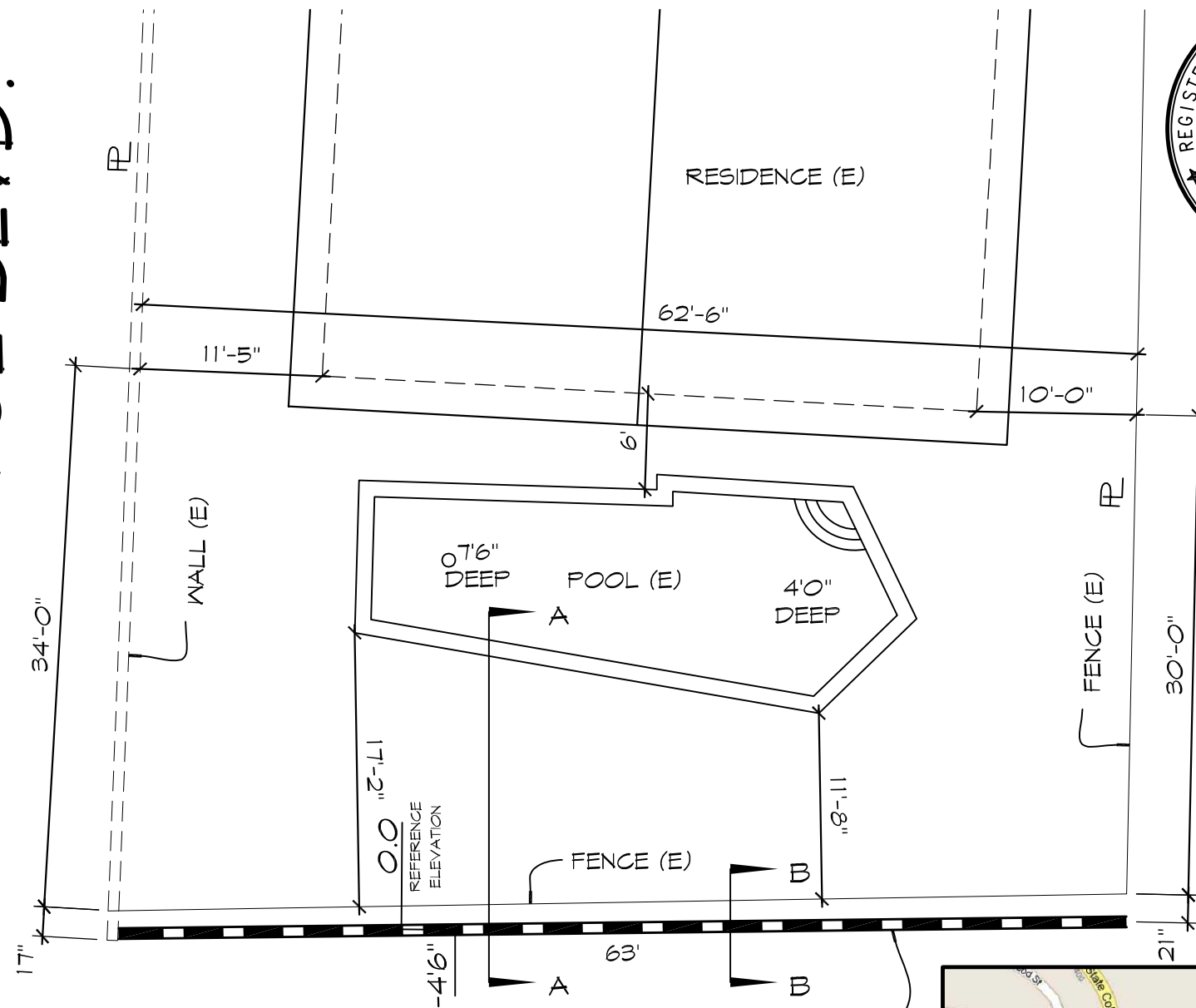


SECTION B-B

RETAINING WALL

N.T.S.

N. STATE COLLEGE BLVD.



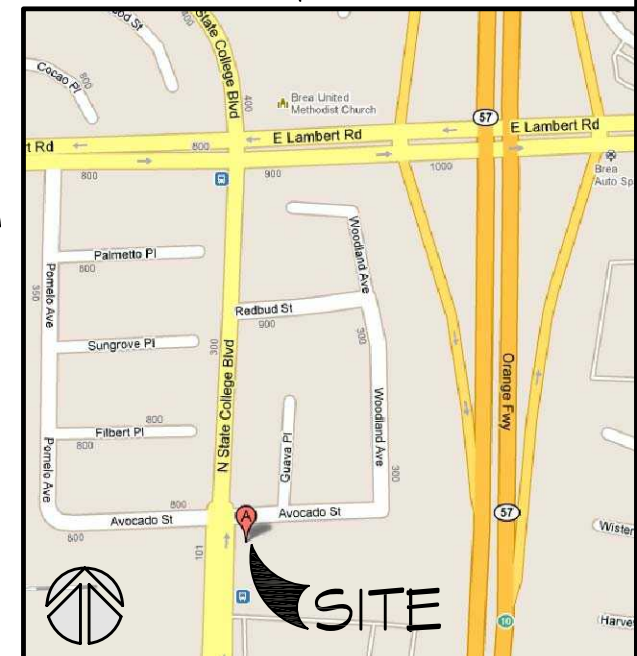
RETAINING WALL TO BE REPLACED
(SCOPE OF WORK)
WASH/CITY PARK
SITE PLAN

1" = 10'-0"



NICOLO KLAUS DE GUZMAN, P.E.
425 PASEO LOREDO
CATHEDRAL CITY, CA 92234
(760) 202-9743
(760) 992-5083

RETAINING WALL REPLACEMENT
FOR: FRANCIS LUIS ILIGOM
906 AVOCADO STREET
BREA, CA
92821



VICINITY MAP

GENERAL NOTES:

1. ALL WORK SHALL CONFORM TO THE ADOPTED CODES AND ZONING REGULATIONS.
2. CONCRETE BLOCK MASONRY SHALL COMPLY WITH THE FOLLOWING:
 - A. CONCRETE MASONRY SHALL CONFORM TO ASTM C-90, GRADE - N.
 - B. MORTAR: TYPE M OR S.
 - C. GROUT ALL CELLS W/2000 PSI PORTLAND CEMENT GROUT.
3. ALL REBARS SHALL BE GRADE 60.
4. THE ULTIMATE COMPRESSIVE STRENGTH REQUIRED FOR FOUNDATION CONCRETE SHALL BE 2500 PSI.
5. ALL REINFORCING STEEL SHALL BE INTERMEDIATE GRADE ASTM A615-40 AND OVERLAP SPLICES SHALL BE 40 BAR DIAMETERS MINIMUM. ALL REBAR HOOKS SHALL BE A MINIMUM OF 12 TIMES THE REBAR DIAMETER (12bd) IN LENGTH.
6. PROVIDE RETAINING WALL DRAINAGE SYSTEM AS FOLLOWS:
PROVIDE 1CF/FT OF CLEAN COARSE GRAVEL WITH 4" DIAMETER PERFORATED PVC DRAINAGE PIPE WITH 1% GRADIENT TO DRAIN - OR OMIT HEAD JOINTS IN FIRST COURSE.
7. OPTIONAL: INSTALLATION OF A MOISTURE BARRIER ON THE FILL SIDE OF THE WALL WILL HELP TO PREVENT MOISTURE FROM PENETRATING THE VISIBLE SIDE OF THE WALL, RESULTING IN DISCOLORATION.
8. CONTRACTOR SHALL VERIFY ACTUAL DEPTH AND LOCATION OF ALL EXISTING UTILITIES PRIOR TO CONSTRUCTION...
CALL UNDERGROUND SERVICE ALERT (TOLL FREE 1-800-227-2600) PRIOR TO TRENCHING, GRADING, EXCAVATING, DRILLING, PIPE PUSHING, PLANTING TREES, DIGGING FENCE POST HOLES ETC. THEY WILL SUPPLY INFORMATION OR LOCATE AND MARK ANY UNDERGROUND FACILITIES.
9. IF ANY ERRORS, DISCREPANCIES OR OMMISIONS APPEAR IN THE DRAWINGS, SPECIFICATIONS OR OTHER CONTRACT DOCUMENTS, THE GENERAL CONTRACTOR SHALL NOTIFY THE DESIGNER IN WRITING OF SUCH ERROR OR OMISSION. IN THE EVENT THAT THE GENERAL CONTRACTOR FAILS TO GIVE SUCH NOTICE BEFORE CONSTRUCTION AND/OR FABRICATIONS OF THE WORK, THE GENERAL CONTRACTOR WILL BE HELD RESPONSIBLE TO THE RESULT OF ANY ERRORS, DISCREPANCIES OR OMISSIONS AND THE COST OF RECTIFYING THE SAME.
10. SPECIAL INSPECTION IF REQUIRED FOR THE FOLLOWING ITEMS:
* SOILS COMPACTION PRIOR FOUNDATION INSPECTION



NICOLO KLAUS DE GUZMAN, P.E.
425 PASEO LOREDO
CATHEDRAL CITY, CA 92234
(760) 202-9743
(760) 992-5089

RETAINING WALL REPLACEMENT
FOR: FRANCIS LUIS ILIGOM
906 AVOCADO STREET
BREA, CA 92821